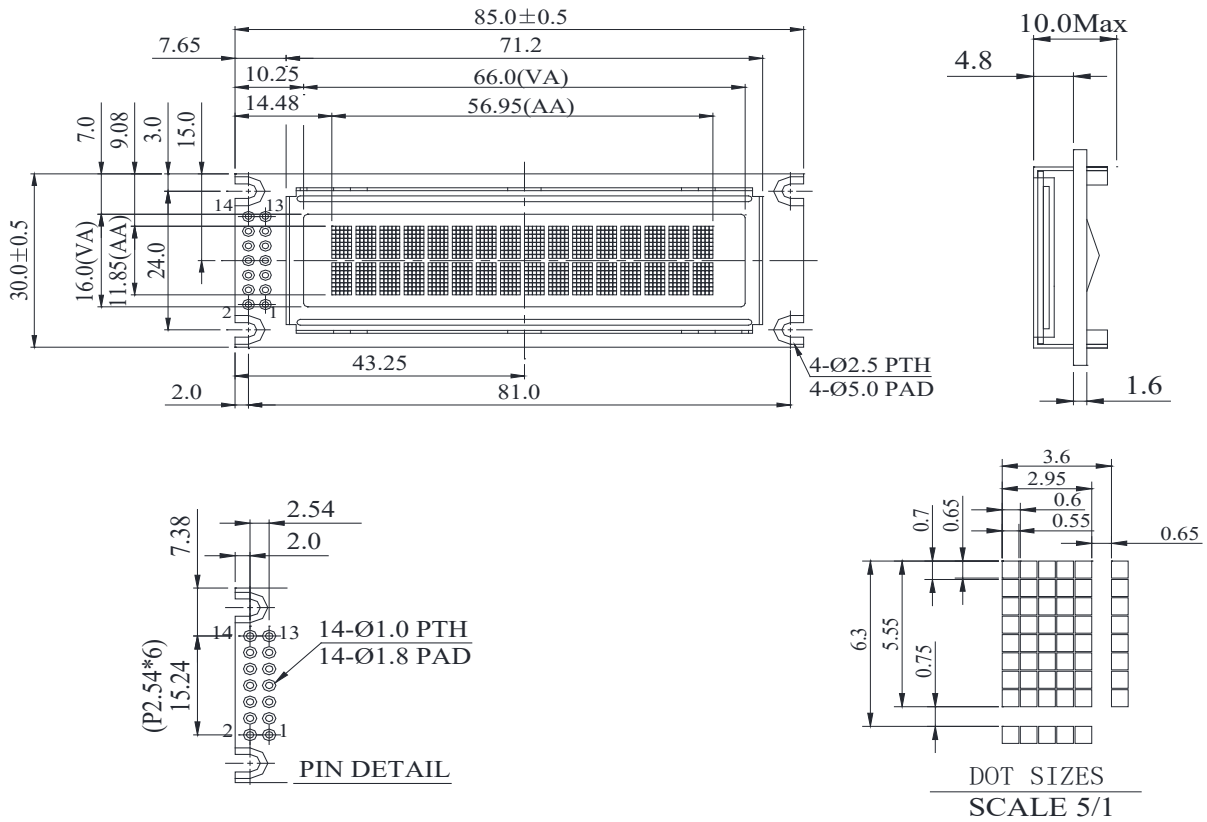


TEH001602D OLED Character 16x2



Feature

1. 16 characters x 2 Lines
2. Built-in Controller WS0010
3. 5V power supply
4. 1/16 duty cycle
5. Interface: 6800, option 8080
6. Polarizer optional

Pin No.	Symbol	Description
1	VDD	Ground Pin
2	VSS	Voltage for logic
3	NC	No Connection
4	RS	Register Select
5	R/W	Read/Write Control
6	E	Chip Enable Signal
7	DB0	Data Bus
8	DB1	Data Bus
9	DB2	Data Bus
10	DB3	Data Bus
11	DB4	Data Bus
12	DB5	Data Bus
13	DB6	Data Bus
14	DB7	Data Bus

Mechanical Data

Item	Standard Value	Unit
Module Dimension	85.0 x 30.0	mm
Viewing Area	66.0 x 16.0	mm
Active Area	56.95 x 11.85	mm
Dot Pitch	0.60 x 0.70	mm
Dot Size	0.55 x 0.65	mm

Electrical Characteristics

Item	Symbol	Condition	Standard Value			Unit
			min.	typ.	max.	
Input Voltage	VDD	---	4.8	5.0	5.3	V