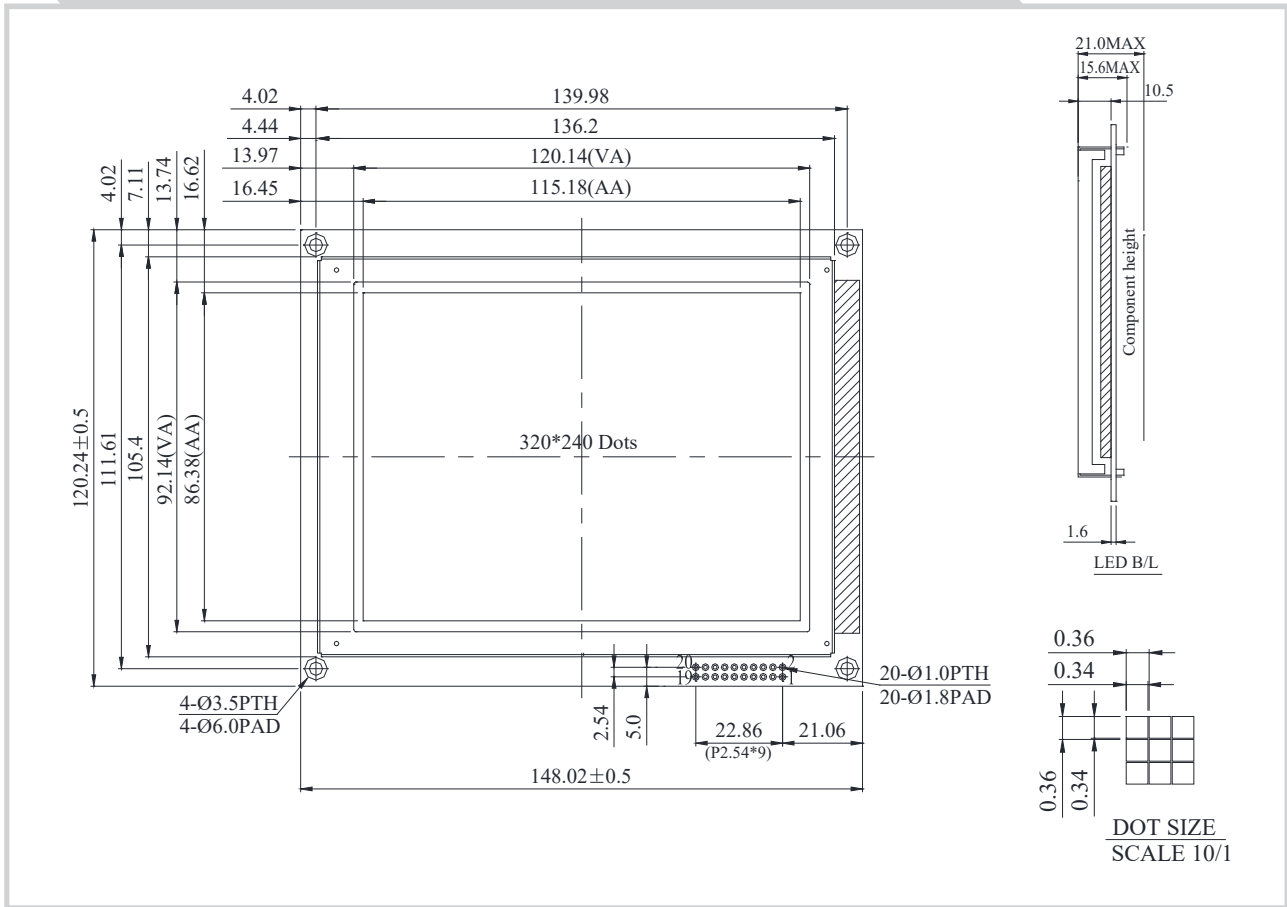


# TG320240C0 Graphic 320x240 dots



## Feature

1. Built-in controller RA8835 and SRAM
2. Built-in Negative voltage generator
3. 1/240 duty cycle
4. Touch screen option (analog type)
5. Temperature compensation option
6. NTG320240Q: PIN19 & PIN20 for A & K backlight

Pin No.	Symbol	Description
1	V <sub>SS</sub>	Ground
2	V <sub>DD</sub>	Power supply for logic
3	V <sub>O</sub>	Contrast Adjustment
4	/RD	Data read. Read data from LCD Controller
5	/WR	Data write. Write data into LCD Controller
6	A0	Data/ Instruction select signal
7~14	DB0~DB7	Data bus line
15	/CS	Chip select input pins
16	/RES	Controller reset signal, Active Low
17	V <sub>EE</sub>	Negative Voltage Output
18	FGND	Frame ground
19	NC	No connection
20	NC	No connection

## Mechanical Data

Item	Standard Value	Unit
Module Dimension	148.02 x 120.24	mm
Viewing Area	120.14 x 92.14	mm
Mounting Hole	139.98 x 112.2	mm
Dot Pitch	0.36 x 0.36	mm
Dot Size	0.34 x 0.34	mm

## Electrical Characteristics

Item	Symbol	Standard Value	Unit
		typ.	
Input Voltage	V <sub>DD</sub>	5.0	V
Recommended LCD Driving Voltage for Normal Temp. Version module @25°C	V <sub>DD-VO</sub>	23.6	V

大成通商株式会社

〒105-0004

東京都港区新橋2-19-2リプロ新橋6階

info@taiseitsusho.co.jp