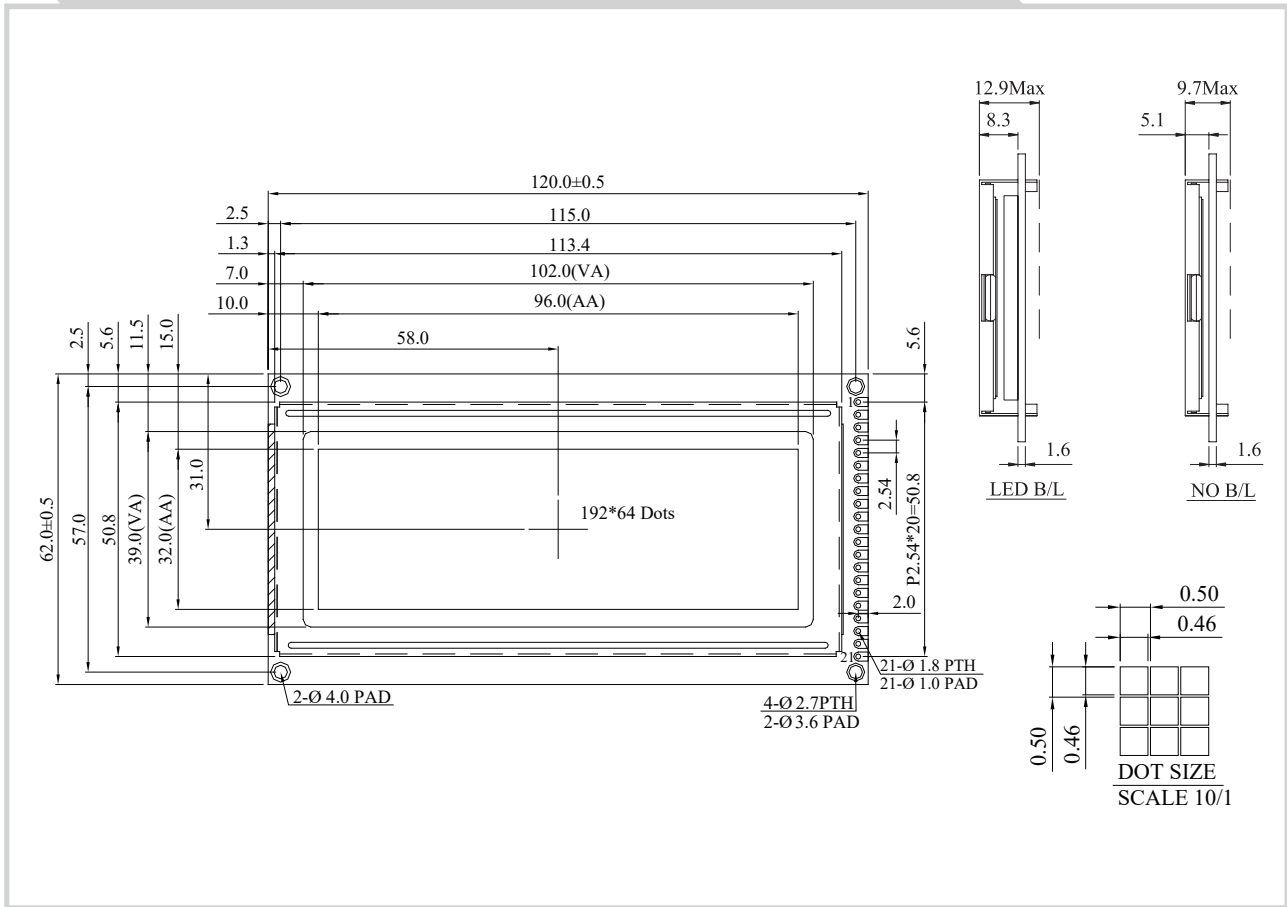


TG19264D Graphic 192x64 dots



Feature

1. Built-in controller (NT7108 or equivalent)
2. 5V power supply
3. 1/64 duty cycle
4. Optional N/V

| Pin No. | Symbol | Description |
|---------|--------|-------------------------------------|
| 1 | VSS | Ground |
| 2 | VDD | Power supply for logic |
| 3 | NC | No connection |
| 4 | Vee | Negative Voltage Output |
| 5 | RS | Data/ Instruction select signal |
| 6 | R/W | Read/Write select signal |
| 7 | E | Enable signal |
| 8 | DB0 | Data bus line |
| 9 | DB1 | Data bus line |
| 10 | DB2 | Data bus line |
| 11 | DB3 | Data bus line |
| 12 | DB4 | Data bus line |
| 13 | DB5 | Data bus line |
| 14 | DB6 | Data bus line |
| 15 | DB7 | Data bus line |
| 16 | /CS1 | Chip select IC1 (Column 1 ~ 64) |
| 17 | /CS2 | Chip select IC2 (Column 65 ~ 128) |
| 18 | /CS3 | Chip select IC3 (Column 128 ~ 192) |
| 19 | /RST | Controller reset signal, Active Low |
| 20 | A | Power supply for B/L + |
| 21 | K | Power supply for B/L - |

Mechanical Data

| Item | Standard Value | Unit |
|------------------|----------------|------|
| Module Dimension | 120.0 x 62.0 | mm |
| Viewing Area | 102.0 x 39.0 | mm |
| Mounting Hole | 115.0 x 57.0 | mm |
| Dot Pitch | 0.50 x 0.50 | mm |
| Dot Size | 0.46 x 0.46 | mm |

Electrical Characteristics

| Item | Symbol | Standard Value | Unit |
|---|--------|----------------|------|
| | | typ. | |
| Input Voltage | VDD | 5.0 | V |
| Recommended LCD Driving Voltage for Normal Temp. Version module @25°C | VDD-VO | 8.55 | V |

大成通商株式会社

〒105-0004
東京都港区新橋2-19-2リアプロ新橋6階
info@taiseitsusho.co.jp