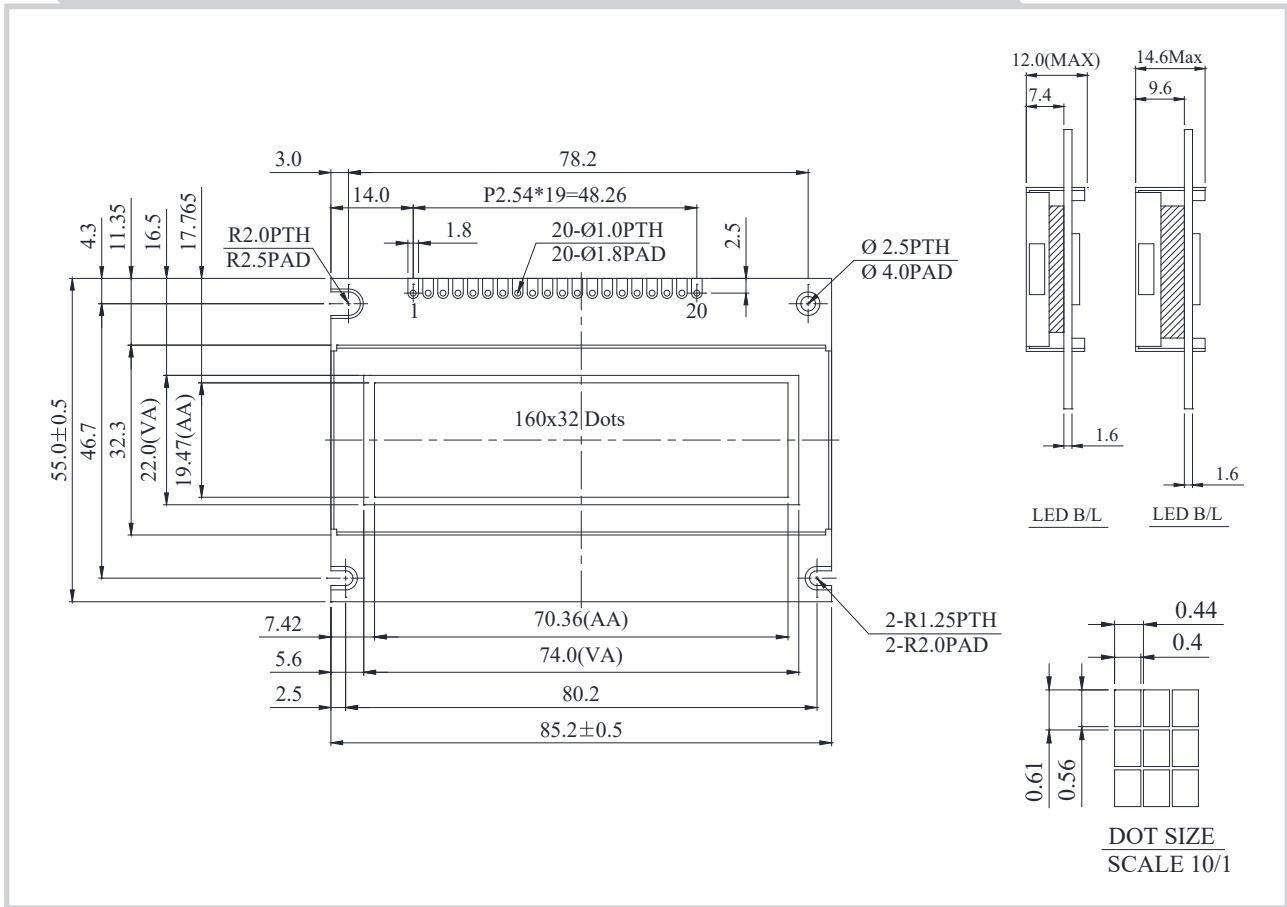


TG16032A Graphic 160x32 dots



Feature

1. Available for external oscillation 2KHz
2. Built-in controller Avant (SBN1661G or equivalent)
3. 1/32 duty cycle
4. N.V. optional for 3V power supply

| Pin No. | Symbol | Description |
|---------|-----------------|--|
| 1 | V _{SS} | Ground |
| 2 | V _{DD} | Power supply for logic |
| 3 | V _O | Contrast Adjustment |
| 4 | A0 | Data/ Instruction select signal |
| 5 | CS1 | Cs1=0 cs2=0 chip select signal for s1~s61 Cs1=0 cs2=1 chip select signal for s62~s141 |
| 6 | CS2 | Cs1=1 cs2=0 chip select signal for s142~s168 |
| 7 | CL | External clock 2KHZ |
| 8 | E | Enable signal |
| 9 | R/W | Read/Write select signal |
| 10 | DB0 | Data bus line |
| 11 | DB1 | Data bus line |
| 12 | DB2 | Data bus line |
| 13 | DB3 | Data bus line |
| 14 | DB4 | Data bus line |
| 15 | DB5 | Data bus line |
| 16 | DB6 | Data bus line |
| 17 | DB7 | Data bus line |
| 18 | RST | Controller reset signal, Active Low |
| 19 | A | Power supply for B/L + |
| 20 | K | Power supply for B/L - |

Mechanical Data

| Item | Standard Value | Unit |
|------------------|----------------|------|
| Module Dimension | 85.2 x 55.0 | mm |
| Viewing Area | 74.0 x 22.0 | mm |
| Mounting Hole | 80.2 x 46.7 | mm |
| Dot Pitch | 0.44 x 0.61 | mm |
| Dot Size | 0.40 x 0.56 | mm |

Electrical Characteristics

| Item | Symbol | Standard Value | Unit |
|---|--------------------|----------------|------|
| | | typ. | |
| Input Voltage | V _{DD} | 5.0 | V |
| Recommended LCD Driving Voltage for Normal Temp. Version module @25°C | V _{DD-VO} | --- | V |

大成通商株式会社

〒105-0004
東京都港区新橋2-19-2リプロ新橋6階
info@taiseitsusho.co.jp