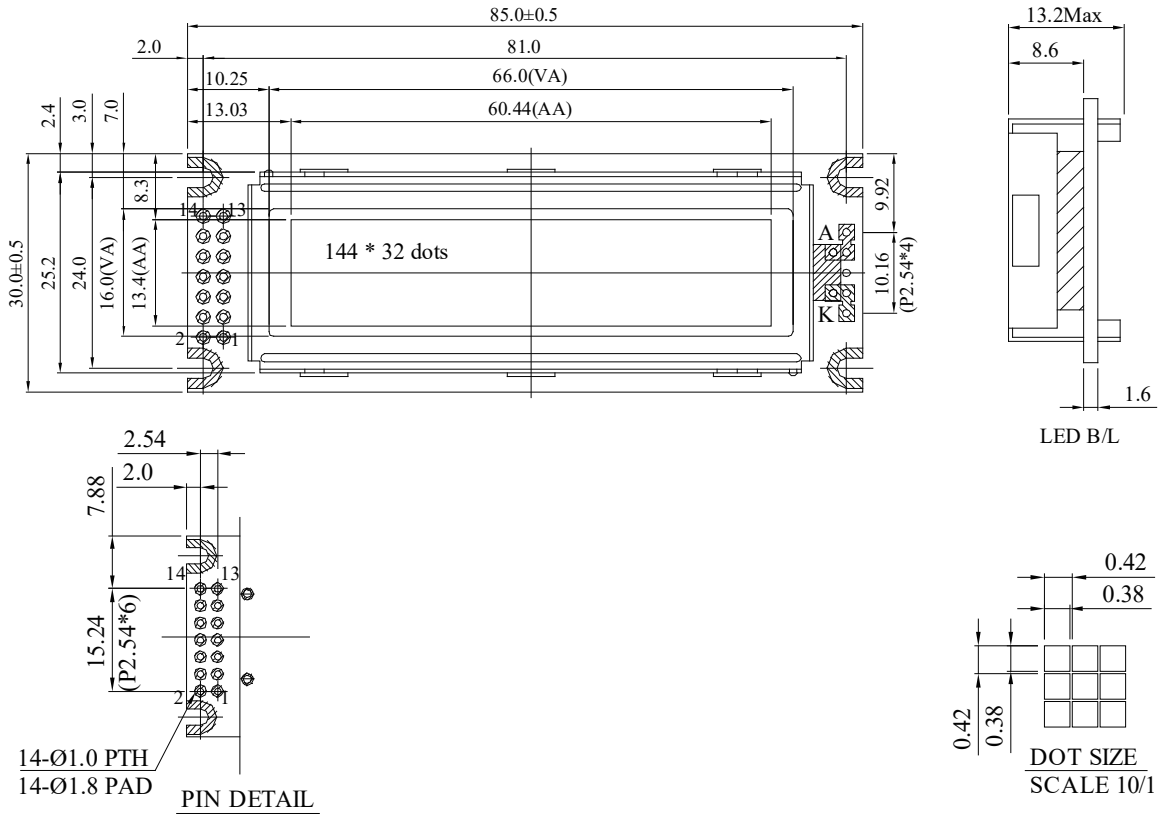


# TG14432D Graphic 144x32 dots



## Feature

1. Built-in controller ST7920
2. 1/32 duty cycle
3. 5V power supply
4. Negative voltage option
5. Chinese version
6. Same size with NTH1602D

| Pin No. | Symbol          | Description                     |
|---------|-----------------|---------------------------------|
| 1       | V <sub>DD</sub> | Power supply for logic          |
| 2       | V <sub>SS</sub> | Ground                          |
| 3       | V <sub>O</sub>  | Contrast Adjustment             |
| 4       | RS              | Data/ Instruction select signal |
| 5       | R/W             | Read/Write select signal        |
| 6       | E               | Enable signal                   |
| 7       | DB0             | Data bus line                   |
| 8       | DB1             | Data bus line                   |
| 9       | DB2             | Data bus line                   |
| 10      | DB3             | Data bus line                   |
| 11      | DB4             | Data bus line                   |
| 12      | DB5             | Data bus line                   |
| 13      | DB6             | Data bus line                   |
| 14      | DB7             | Data bus line                   |

## Mechanical Data

| Item             | Standard Value | Unit |
|------------------|----------------|------|
| Module Dimension | 85.0 x 30.0    | mm   |
| Viewing Area     | 66.0 x 16.0    | mm   |
| Mounting Hole    | 81.0 x 25.2    | mm   |
| Dot Pitch        | 0.42 x 0.42    | mm   |
| Dot Size         | 0.38 x 0.38    | mm   |

## Electrical Characteristics

| Item  | Symbol                          | Standard Value | Unit |
|---|---------------------------------|----------------|------|
|   |                                 | typ.           |      |
| Input Voltage   | V <sub>DD</sub>                 | 3/5            | V    |
| Recommended LCD Driving Voltage for Normal Temp. Version module @25°C | V <sub>O</sub> -V <sub>SS</sub> | 4.40           | V    |