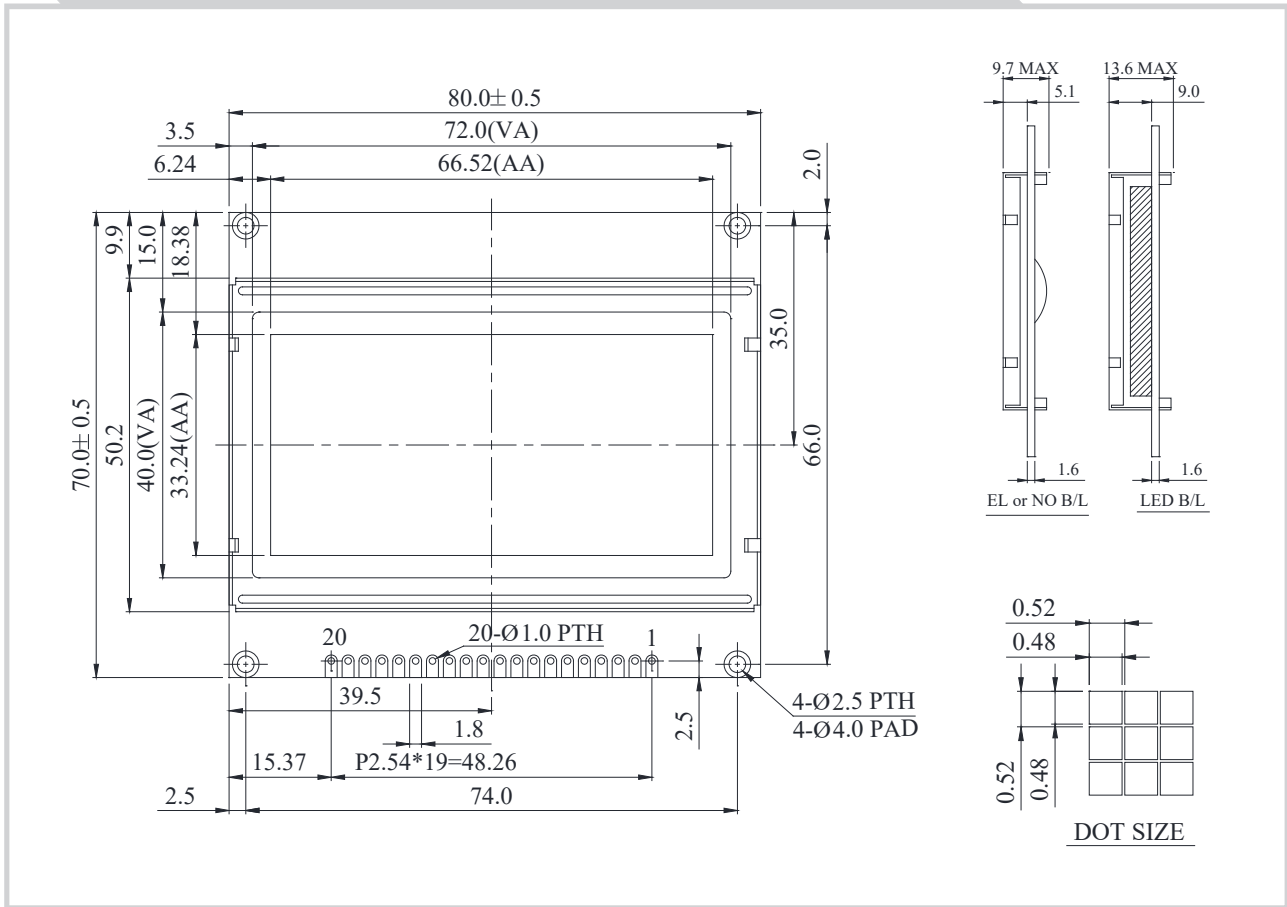


TG12864I Graphic 128x64 dots



Feature

1. Built-in controller NT7108
2. 5V power supply
3. 1/64 duty cycle
4. N.V. option

| Pin No. | Symbol | Description |
|---------|------------------|-------------------------------------|
| 1 | V _{SS} | Ground |
| 2 | V _{DD} | Power supply for logic |
| 3 | V _O | Contrast Adjustment |
| 4 | D/I | Data/ Instruction select signal |
| 5 | R/W | Read/Write select signal |
| 6 | E | Enable signal |
| 7 | DB0 | Data bus line |
| 8 | DB1 | Data bus line |
| 9 | DB2 | Data bus line |
| 10 | DB3 | Data bus line |
| 11 | DB4 | Data bus line |
| 12 | DB5 | Data bus line |
| 13 | DB6 | Data bus line |
| 14 | DB7 | Data bus line |
| 15 | CS1 | Chip Select for IC1 |
| 16 | CS2 | Chip Select for IC2 |
| 17 | /RES | Controller reset signal, Active Low |
| 18 | V _{out} | Positive Voltage output |
| 19 | A | Power supply for B/L + |
| 20 | K | Power supply for B/L - |

Mechanical Data

| Item | Standard Value | Unit |
|------------------|----------------|------|
| Module Dimension | 80.0 x 70.0 | mm |
| Viewing Area | 72.0 x 40.0 | mm |
| Mounting Hole | 74.0 x 66.0 | mm |
| Dot Pitch | 0.52 x 0.52 | mm |
| Dot Size | 0.48 x 0.48 | mm |

Electrical Characteristics

| Item | Symbol | Standard Value | Unit |
|---|--------------------|----------------|------|
| | | typ. | |
| Input Voltage | V _{DD} | 5.0 | V |
| Recommended LCD Driving Voltage for Normal Temp. Version module @25°C | V _{DD-VO} | 8.70 | V |