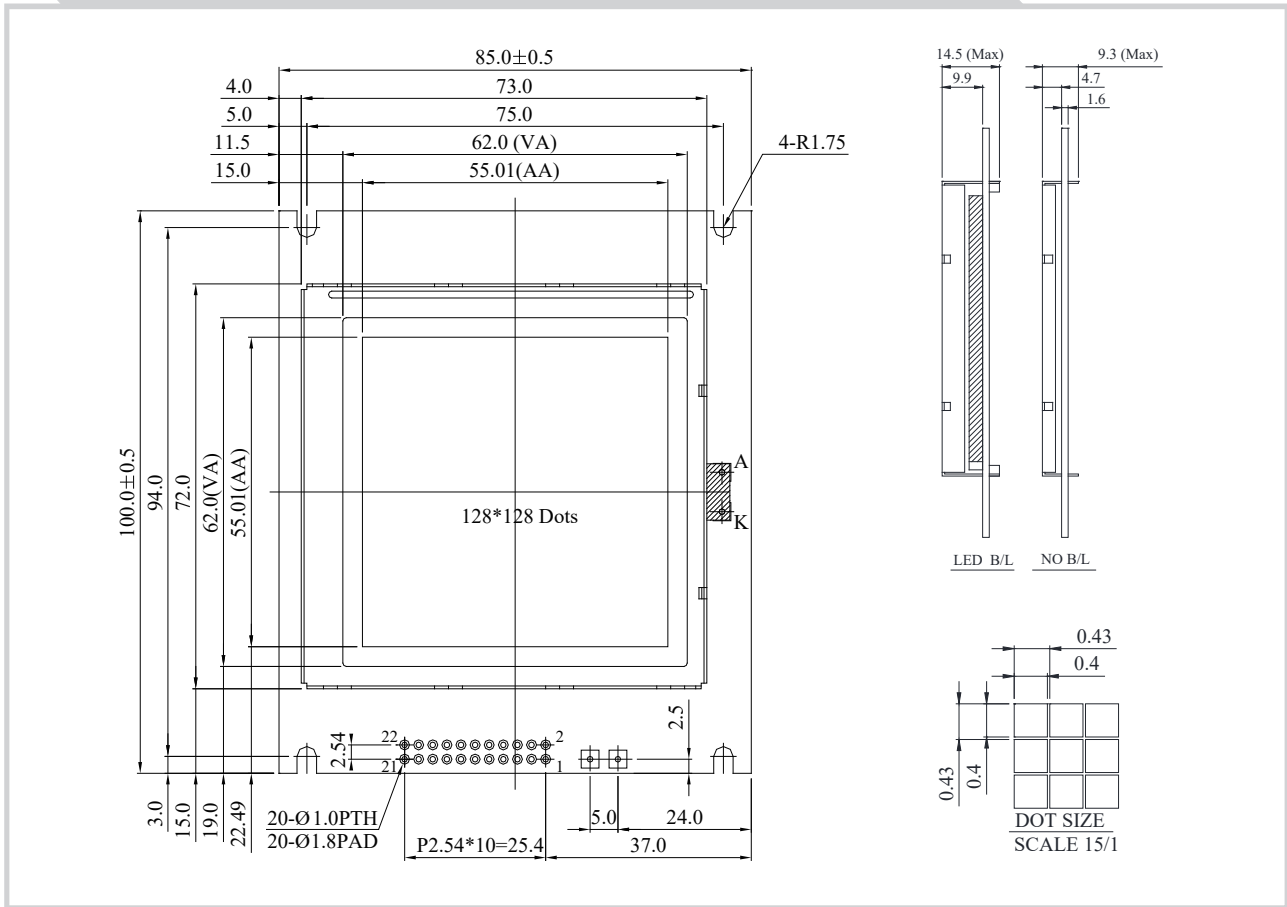


# TG128128A Graphic 128x128 dots



## Feature

1. Built-in controller RA6963
2. 1/128 duty cycle
3. N.V. optional
4. 5V power supply

Pin No.	Symbol	Description
1	FGND	Frame ground
2	GND	Ground
3	V <sub>DD</sub>	Power supply for logic
4	V <sub>O</sub>	Contrast Adjustment
5	/WR	Data write. Write data into LCD Controller
6	/RD	Data read. Read data from LCD Controller
7	/CE	Enable signal
8	C/D	Data/ Instruction select signal
9	NC	No connection
10	/RESET	Controller reset signal, Active Low
11	DB0	Data bus line
12	DB1	Data bus line
13	DB2	Data bus line
14	DB3	Data bus line
15	DB4	Data bus line
16	DB5	Data bus line
17	DB6	Data bus line
18	DB7	Data bus line
19	FS	Selection of font; H : 6 * 8 , L : 8 * 8
20	V <sub>EE</sub>	Negative Voltage Output
21	A	Power supply for B/L +
22	K	Power supply for B/L -

## Mechanical Data

Item	Standard Value	Unit
Module Dimension	85.0 x 100.0	mm
Viewing Area	62.0 x 62.0	mm
Mounting Hole	75.0 x 94.0	mm
Dot Pitch	0.43 x 0.43	mm
Dot Size	0.40 x 0.40	mm

## Electrical Characteristics

Item	Symbol	Standard Value	Unit
		typ.	
Input Voltage	V <sub>DD</sub>	3/5	V
Recommended LCD Driving Voltage for Normal Temp. Version module @25°C	V <sub>DD-VO</sub>	16.35	V

大成通商株式会社

〒105-0004  
東京都港区新橋2-19-2リプロ新橋6階  
info@taiseitsusho.co.jp