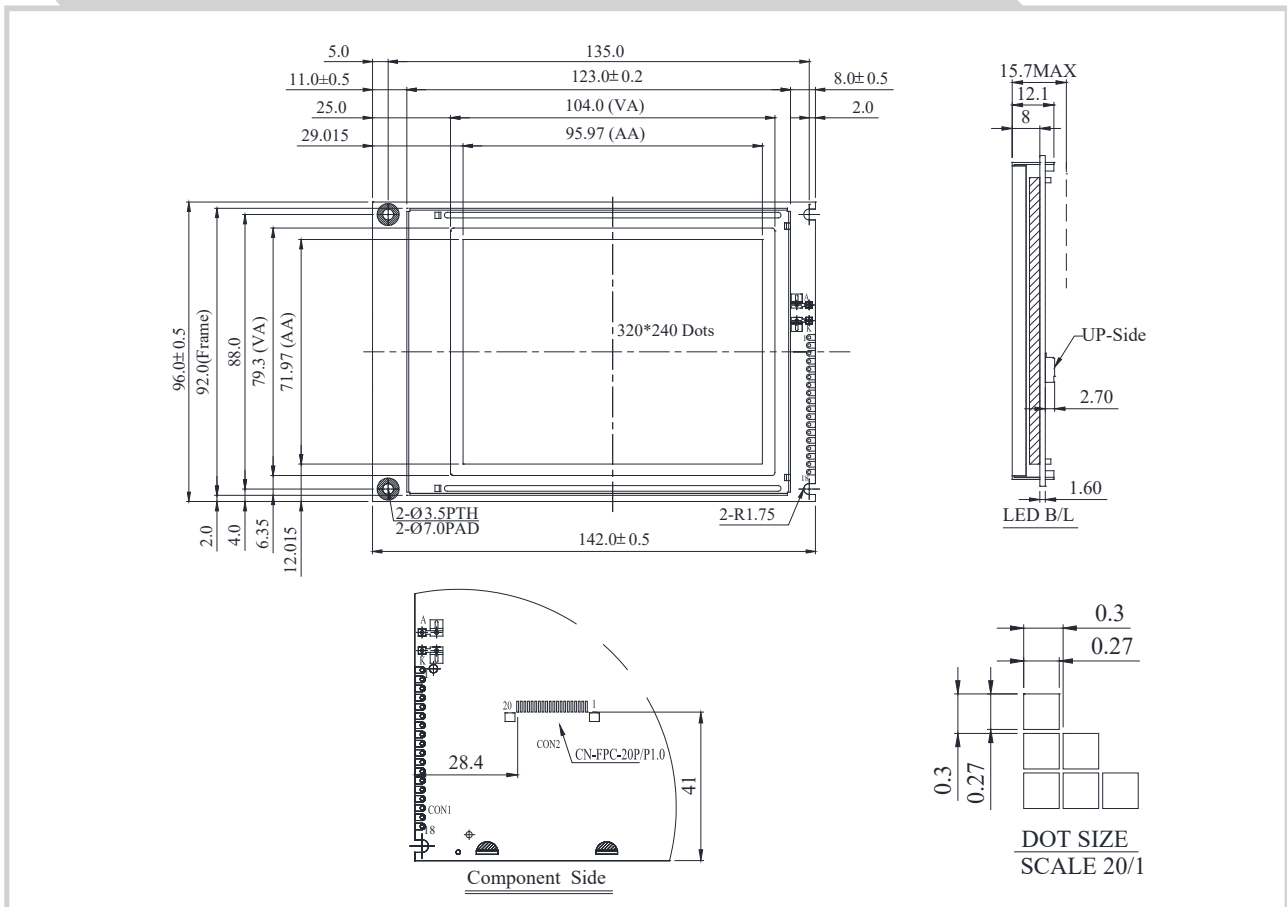


TG320240D0 Graphic 320x240 dots



Feature

1. 320x240 dots
2. Built-in controller RA8835
3. 1/240 duty cycle
4. 4.5V power supply
5. Touch screen option

Pin No.	Symbol	Description
1	V _{SS}	Ground
2	V _{DD}	Power supply for logic
3	V _O	Contrast Adjustment
4	A0	Data/ Instruction select signal
5	/WR	Data write. Write data into LCD Controller
6	/RD	Data read. Read data from LCD Controller
7~14	DB0~DB7	Data bus line
15	CS	Chip select input pins
16	RES	Controller reset signal, Active Low
17	V _{EE}	Negative Voltage Output
18	DISPOFF	Display off H:ON L:OFF
19	A	Power supply for B/L +
20	K	Power supply for B/L -

Mechanical Data

Item	Standard Value	Unit
Module Dimension	142.0 x 96.0	mm
Viewing Area	104.0 x 79.3	mm
Mounting Hole	135.0 x 92.0	mm
Dot Pitch	0.30 x 0.30	mm
Dot Size	0.27 x 0.27	mm

Electrical Characteristics

Item	Symbol	Standard Value	Unit
		typ.	
Input Voltage	V _{DD}	5.0	V
Recommended LCD Driving Voltage for Normal Temp. Version module @25°C	V _{DD-VO}	21.6	V

大成通商株式会社

〒105-0004
東京都港区新橋2-19-2リプロ新橋6階
info@taiseitsusho.co.jp