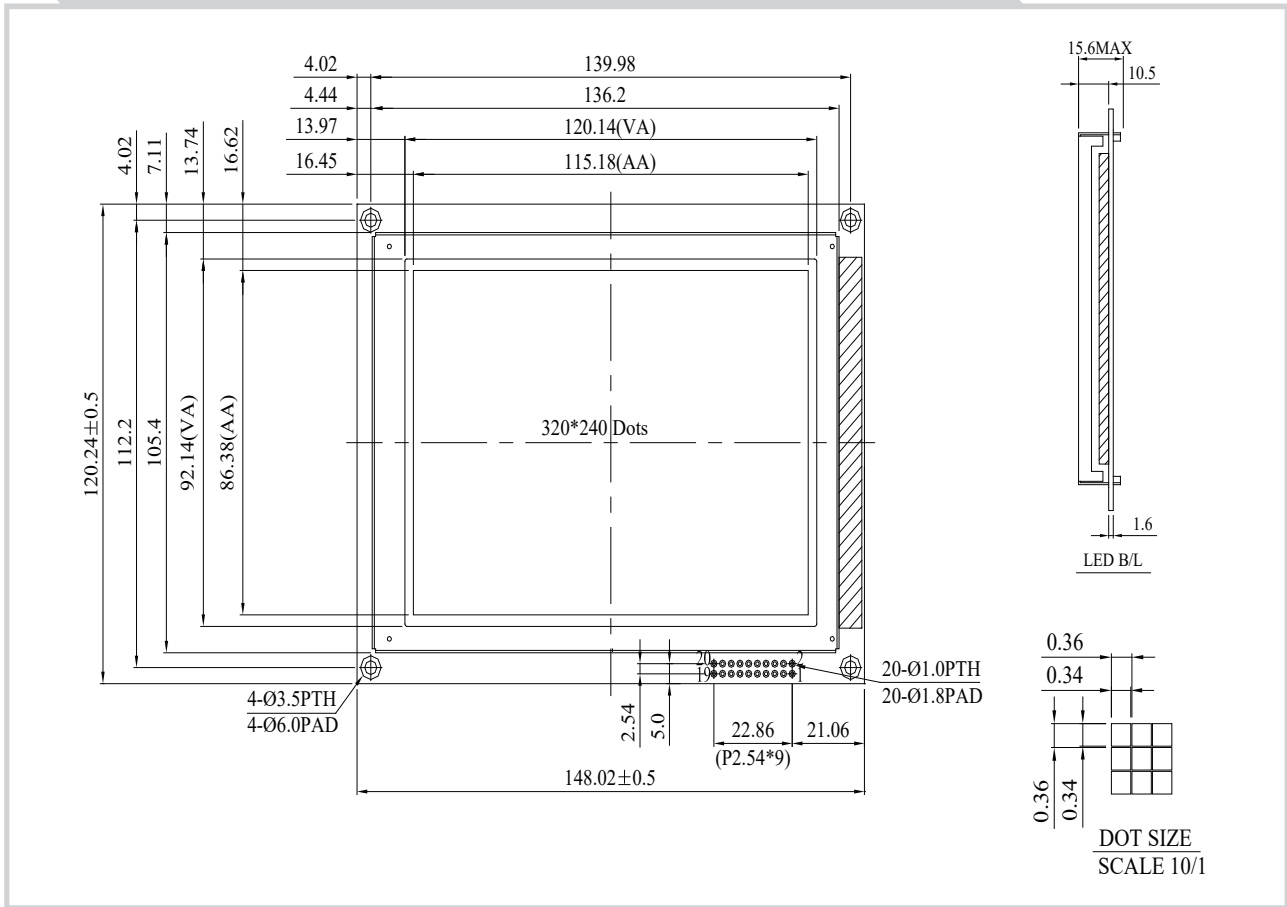


TG320240CX Graphic 320x240 dots



Feature

1. Built-in controller Epson-S1D13700
2. Built-in Negative voltage generator
3. 1/240 duty cycle
4. Touch screen option
5. Temperature compensation option

Pin No.	Symbol	Description
1	V _{SS}	Ground
2	V _{DD}	Power supply for logic
3	V _O	Contrast Adjustment
4	/RD	Data read. Read data from LCD Controller
5	/WR	Data write. Write data into LCD Controller
6	A0	Data/ Instruction select signal
7~14	DB0~DB7	Data bus line
15	CS	Chip select input pins
16	RES	Controller reset signal, Active Low
17	V _{EE}	Negative Voltage Output
18	FGND	Frame ground
19	NC	No connection
20	WAIT	Check Busy

Mechanical Data

Item	Standard Value	Unit
Module Dimension	148.02 x 120.24	mm
Viewing Area	120.14 x 92.14	mm
Mounting Hole	139.98 x 112.2	mm
Dot Pitch	0.36 x 0.36	mm
Dot Size	0.34 x 0.34	mm

Electrical Characteristics

Item	Symbol	Standard Value	Unit
		typ.	
Input Voltage	VDD	5.0	V
Recommended LCD Driving Voltage for Normal Temp. Version module @25°C	VDD-VO	23.6	V

大成通商株式会社

〒105-0004
東京都港区新橋2-19-2リプロ新橋6階
info@taiseitsusho.co.jp