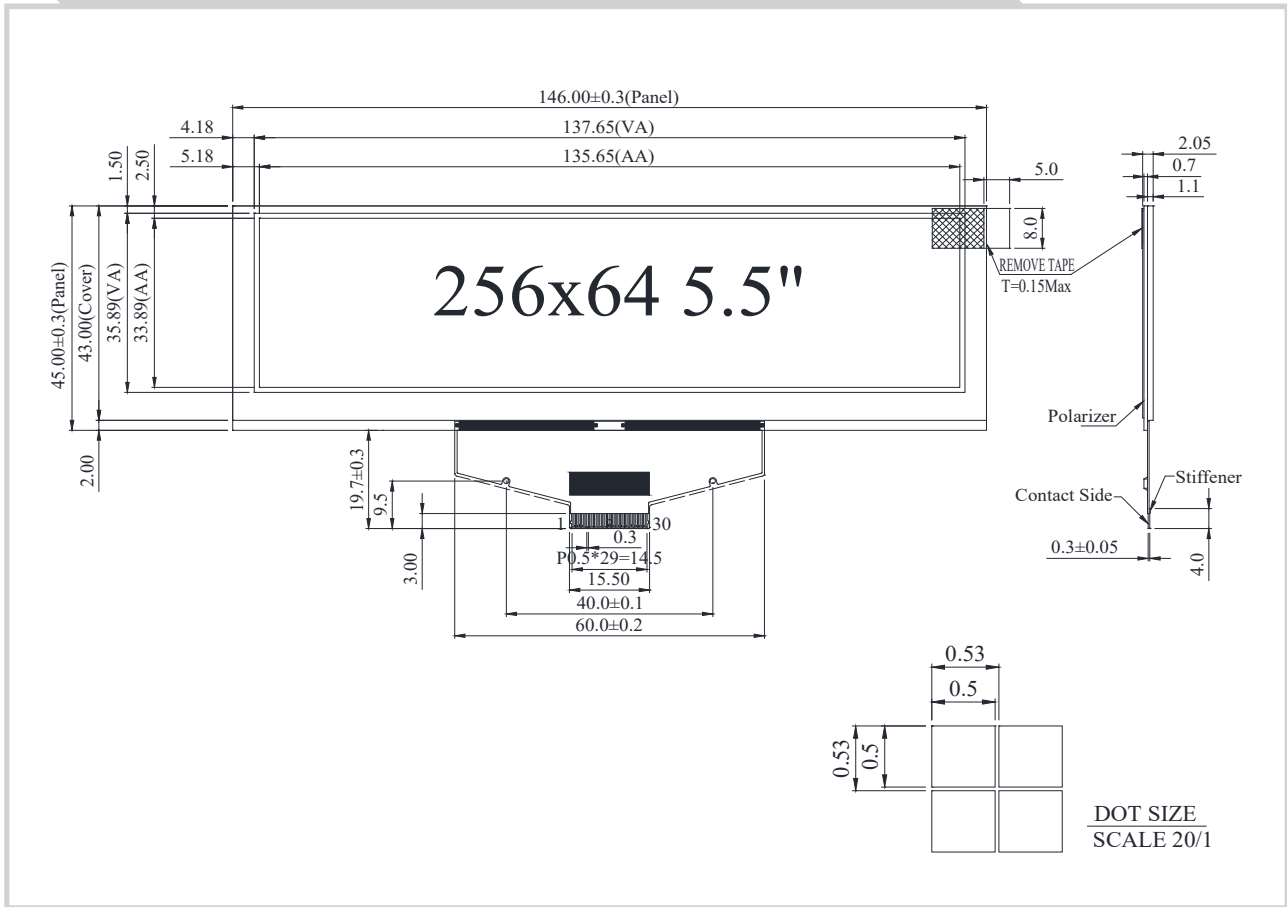


TEX025664D OLED Graphic 256x64 dots



Feature

1. 256*64 Dot Matrix
2. Built-in controller SSD132UR1
3. 3V Power supply
4. 1/64 duty
5. Interface: 6800, 8080, SPI
6. Polarizer optional

Pin No.	Symbol	Description
1	NC	No Connection
2	VSS	Ground Pin
3	VCC	Panel driving voltage
4	VC0MH	COM deselected level
5	VLSS	Analog system ground pin
6-13	D7-D0	Data Bus
14	E/RD#	Chip Enable Signal
15	R/W#	Read/Write Control
16	BS0	Interface selection
17	BS1	Interface selection
18	D/C#	Data/Command Control Pin
19	CS#	Chip Select Pin
20	RES#	Reset Signal Pin
21	FR	Not Connected
22	IREF	SEG output current refer pin
23	NC	No Connection
24	VDDIO	Voltage for interface logic
25	VDD	Voltage for logic
26	VCI	Low voltage power supply
27	VSL	SEG voltage refer Pin
28	VLSS	Analog system ground pin
29	VCC	Panel driving voltage
30	NC	No Connection

Mechanical Data

Item	Standard Value	Unit
Module Dimension	146.0 x 45.0	mm
Viewing Area	137.65 x 35.89	mm
Active Area	135.65 x 33.89	mm
Dot Pitch	0.53 x 0.53	mm
Dot Size	0.50 x 0.50	mm

Electrical Characteristics

Item	Symbol	Condition	Standard Value			Unit
			min.	typ.	max.	
Input Voltage	VCI	---	2.8	3.0	3.3	V

大成通商株式会社

〒105-0004
東京都港区新橋2-19-2リプロ新橋6階
info@taiseitsusho.co.jp